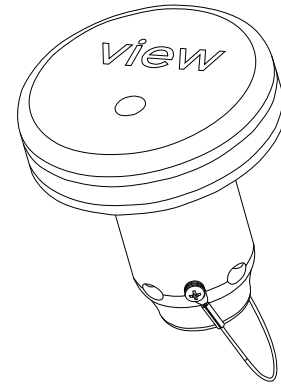


# Ring Photo Sensor

## Product Description

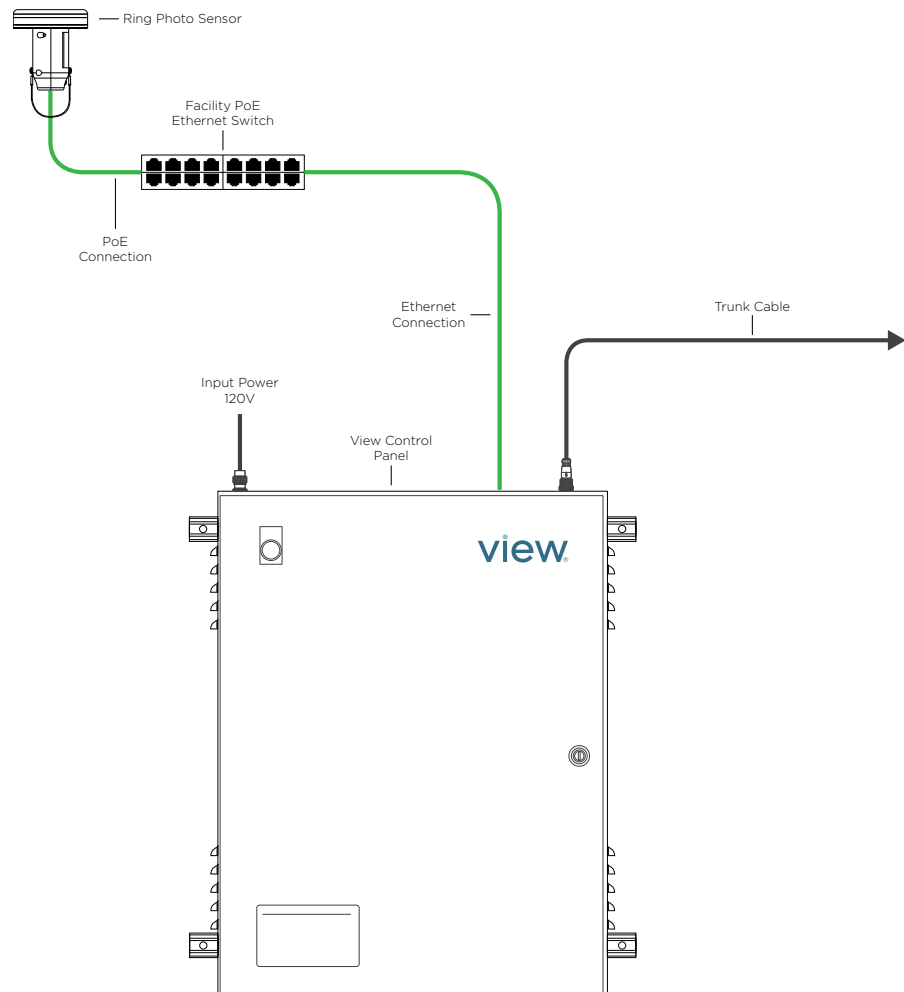
The roof-mounted Ring Photo Sensor provides external light level data to the View Dynamic Glass system to allow optimization of tint levels for each Dynamic Glass facade.



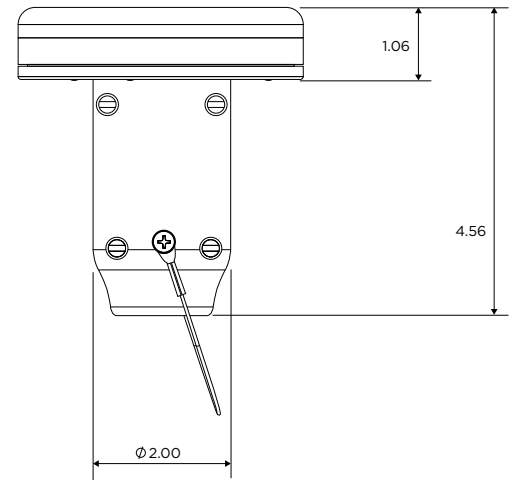
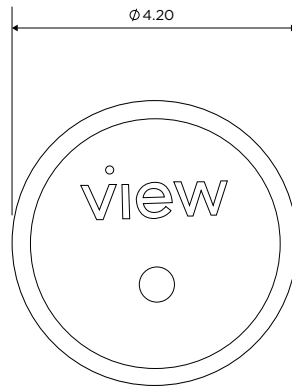
## Features

- 360-degree horizontal light sensing coverage plus a vertical photo sensor.
- PoE-enabled (Power-over-Ethernet) to allow data and power transmission with a single cable.
- Designed with built-in pole mounting features to simplify the installation process.

## System Overview



## Dimensions



## Specifications

Power	PoE (Power over Ethernet) voltage requirement: Class 0, 36-57 VDC PoE (Power over Ethernet) Injector (see ordering information)
Sensors	<ul style="list-style-type: none"> <li>• 13 photo sensors: 12 horizontal, 1 vertical</li> <li>• 1 exterior temperature sensor</li> <li>• Light sensor dynamic range: 1 - 100K Lux</li> </ul>
Environmental	<ul style="list-style-type: none"> <li>• Storage Temperature: -40C to 85C</li> <li>• Operating Temperature: -20C to 65C</li> <li>• Meets the requirements for IP65 per IEC 60529</li> </ul>
Mounting	Pole mount: 1/2 inch IMT (Intermediate Metallic Tubing) Note: Do not use EMC/EMT. For Ring Sensor installations where IMT is not readily available or RMT is preferred, an adaptor will be supplied which will couple directly to standard imperial threaded ends of RMT.
Agency Approval	Complies with: <ul style="list-style-type: none"> <li>• FCC Part 15 Subpart B Section 15.107 &amp; 15.109</li> <li>• EN 55032 Class B Conducted Emissions</li> <li>• EN 55032 Class B Radiated Emissions</li> <li>• EN 61000-4-2 (2009) Electrostatic Discharge</li> <li>• EN 61000-4-3 (2006)+A1+A2 Radiated Immunity</li> <li>• EN 61000-4-4 (2004) Electrical Fast Transient/Burst</li> <li>• EN 61000-4-6 (2009) Conducted Immunity</li> </ul>
Warranty	5 years

## Ordering Information

Part Number	Description
010-101571	Ring Photo Sensor
320-101516	PoE (Power over Ethernet) Injector