

Flex Loop Installation Guide

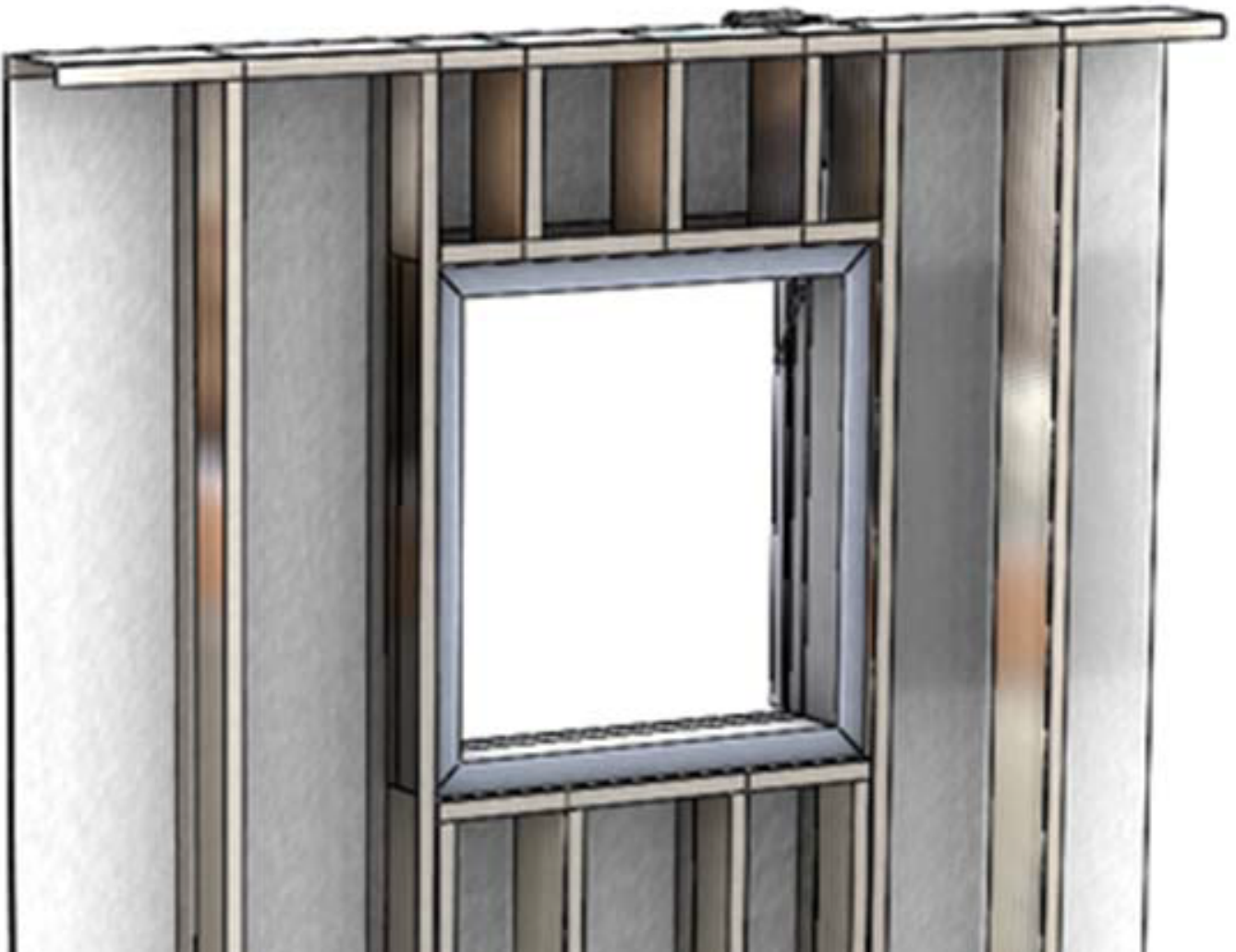


Table of Contents

General Information	3
Warranty	3
Parts List	3
Required Tools	3
Specifications	3
Flex Loop Connection Detail	4
Mounting Orientations	7
Cutout Templates	9

General Information

The Flex Loop is used to connect a window controller to a Dynamic IGU when a component that moves is in the path of the IGU cable. It has been specifically designed and tested by View. It uses industry standard cutout dimensions with some specific requirements that are unique to this product.

These instructions are for use to install Flex Loop View Inc. model number VP - FC - 000.

Warranty

Using a View Flex Loop will maintain the View warranty; the use of any other similar product not provided by View will void the warranty. For more information, see the View Operables Warranty.

Parts List

The Door Loop package contains the following parts:

- A Flex Loop assembly
- 2 Mounting Screws for the Flex Loop
- 2 Grommets
- 2 Cable Clamps

Required Tools

Once the door has been prepared, the following tool is needed to install the Flex Loop:

- #2 Phillips Screwdriver

Specifications

This product can be used for:

- Doors
- Windows, Awning, Hopper
- Some limited use with K-bar style windows

This product cannot be used for:

- Center Hung Doors
- Sliding Doors or Windows

Electrical

- The Flex Loop is a low voltage product and is only for use with View IGU cable and controls to control View Dynamic Glass
- This product has an IP rated connector to transfer power and communication to and from the IGU

Flex Loop Connection Detail

1. Make sure the IGU cable coming from the Pigtail Cable at the Dynamic Glass Unit can be pulled through the cutout for the Flex Loop with approximately 2 inches of it clear of the frame so that the connection between the Flex Loop and the IGU cable can be made.
2. Make sure the IGU cable coming from the Window Controller is a female-gender connector, the IGU cable going to the IGU must be a male-gender connector.

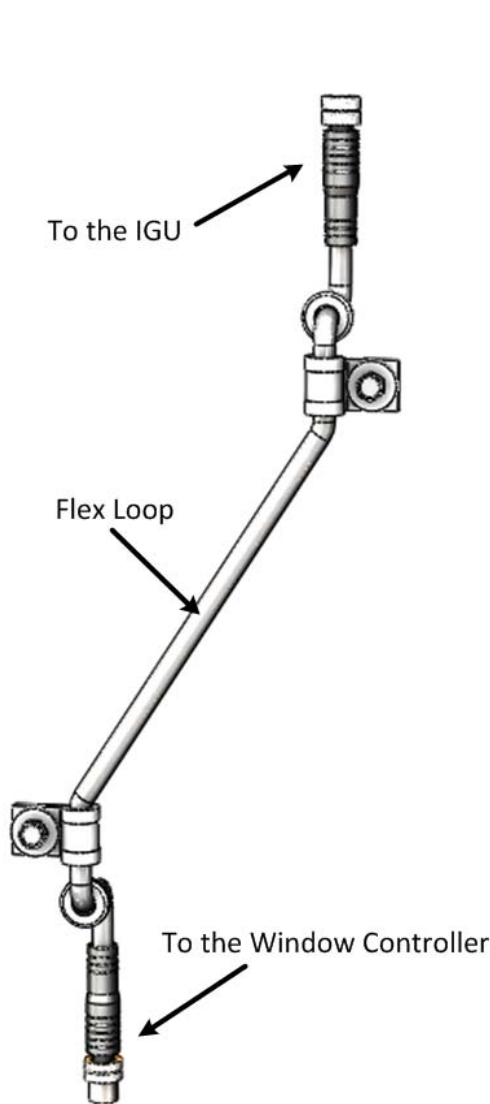


Figure 1A - Flex Loop Assembly

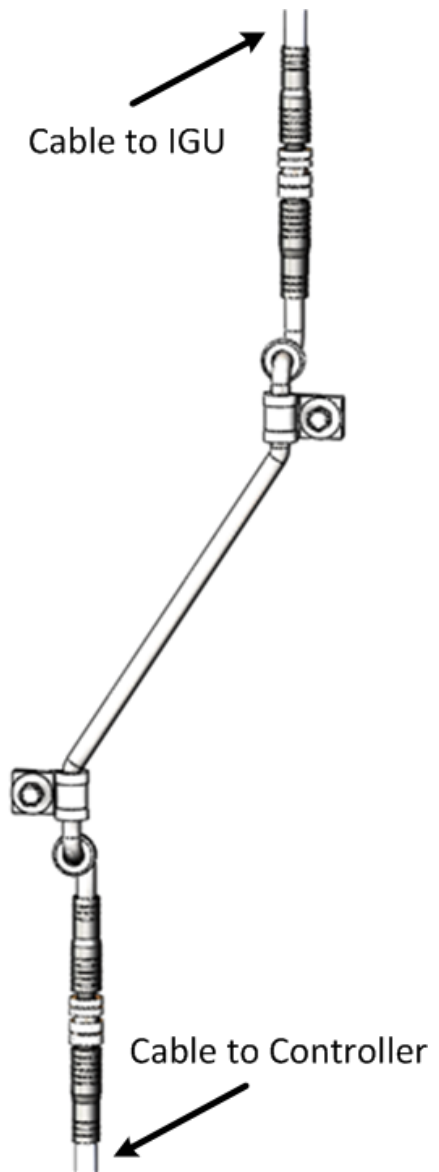
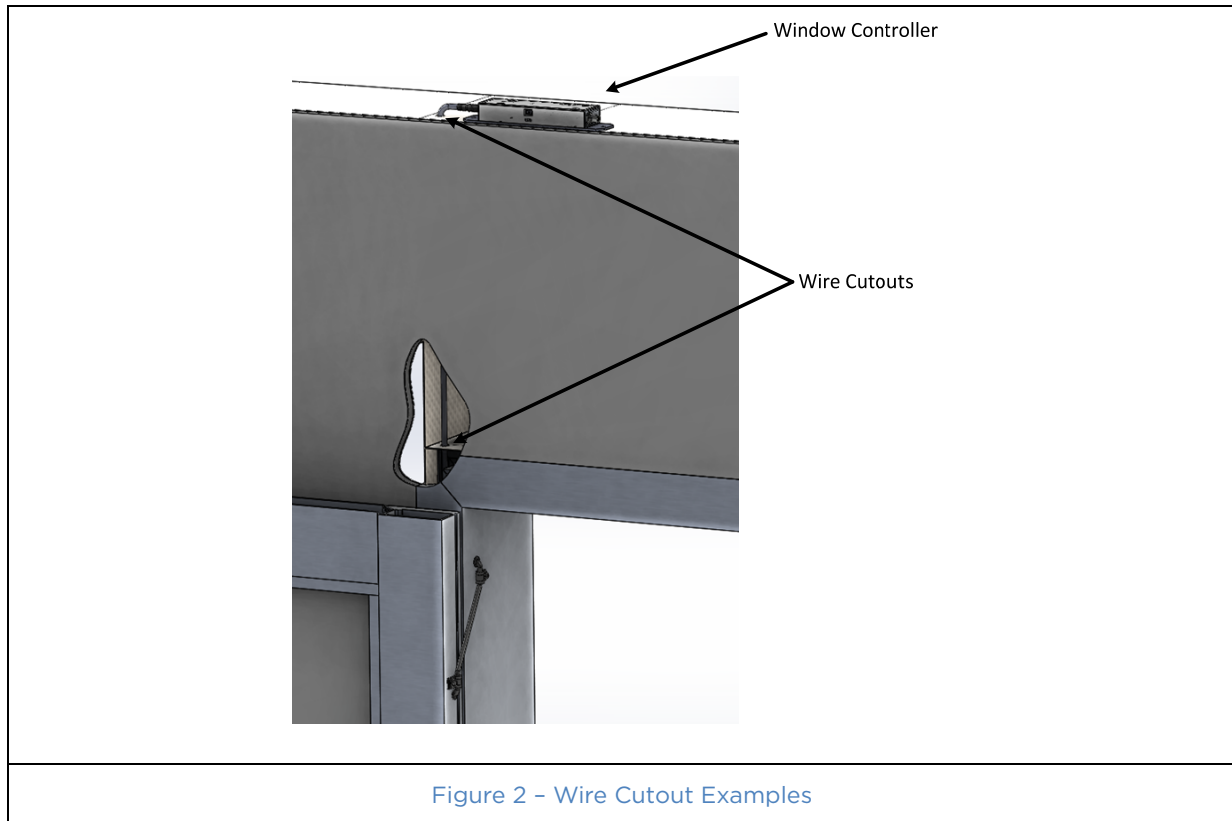
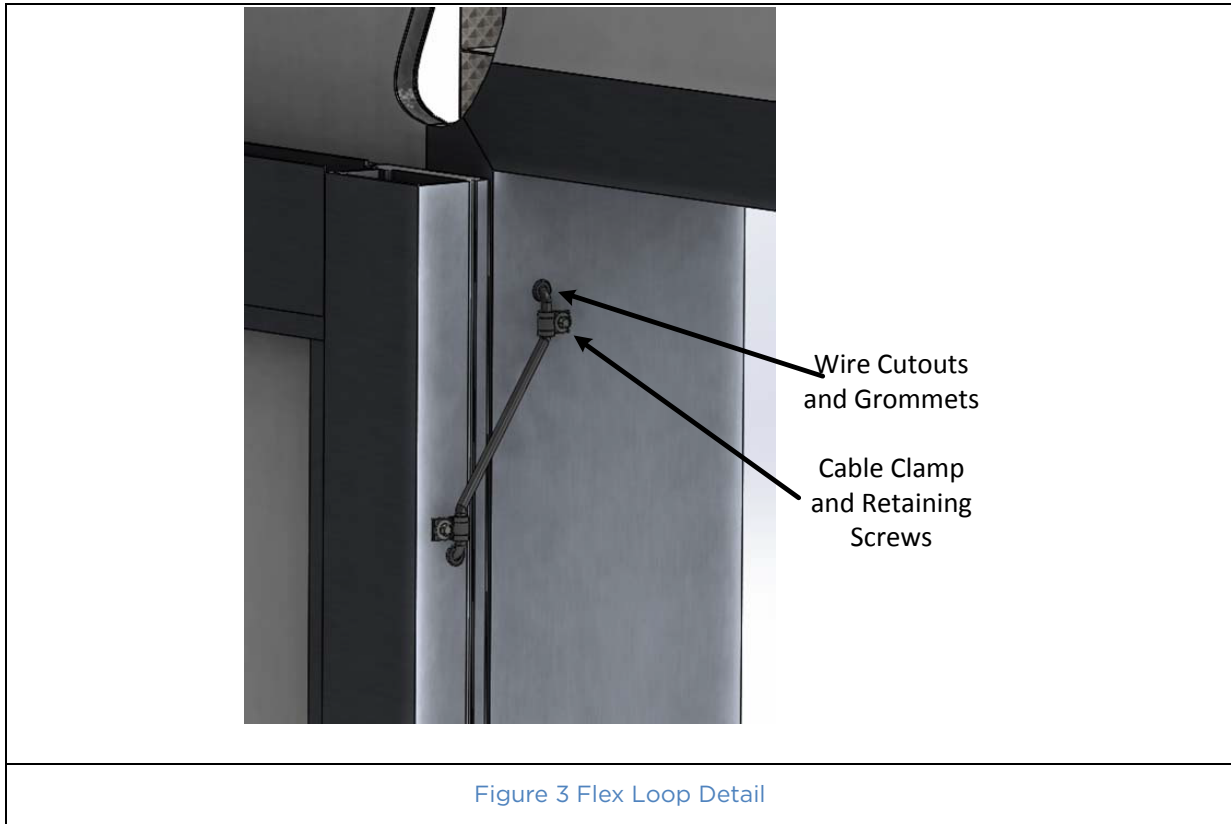


Figure 1B - Flex Loop with Cables Connected

3. Mount the Window Controller within the specifications outlined in the View Design Guide. Pay special attention that the total cable length from the controller to the IGU is within those limits.

4. Openings in the walls will be required to gain access to the framing system so that the Flex Loop can be connected (figure 2).



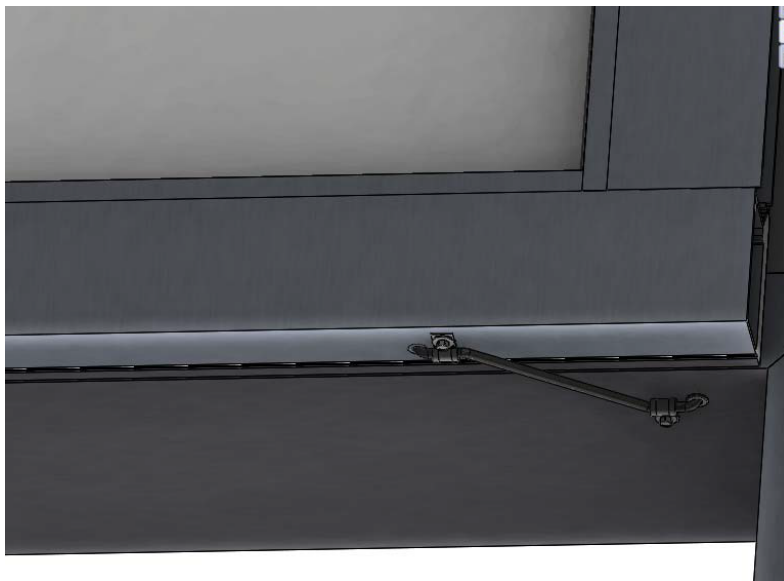


Mounting Orientations

Casement



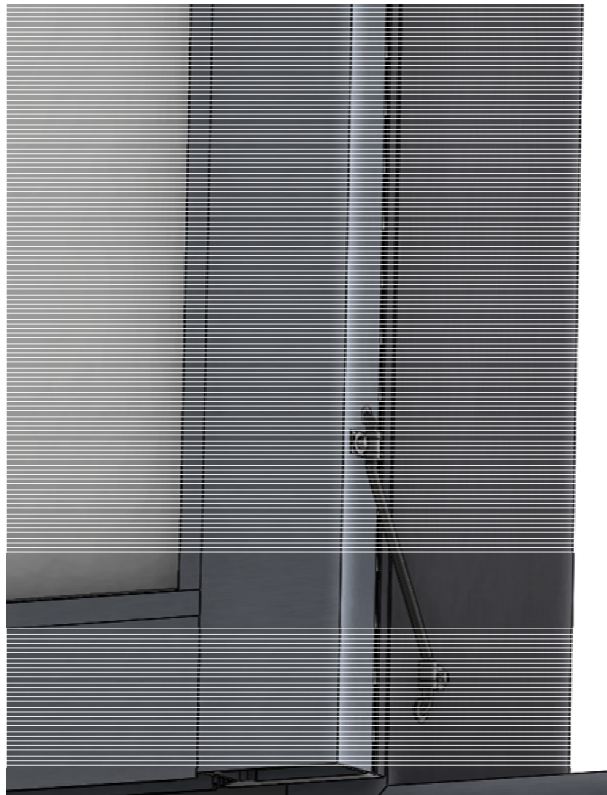
Awning



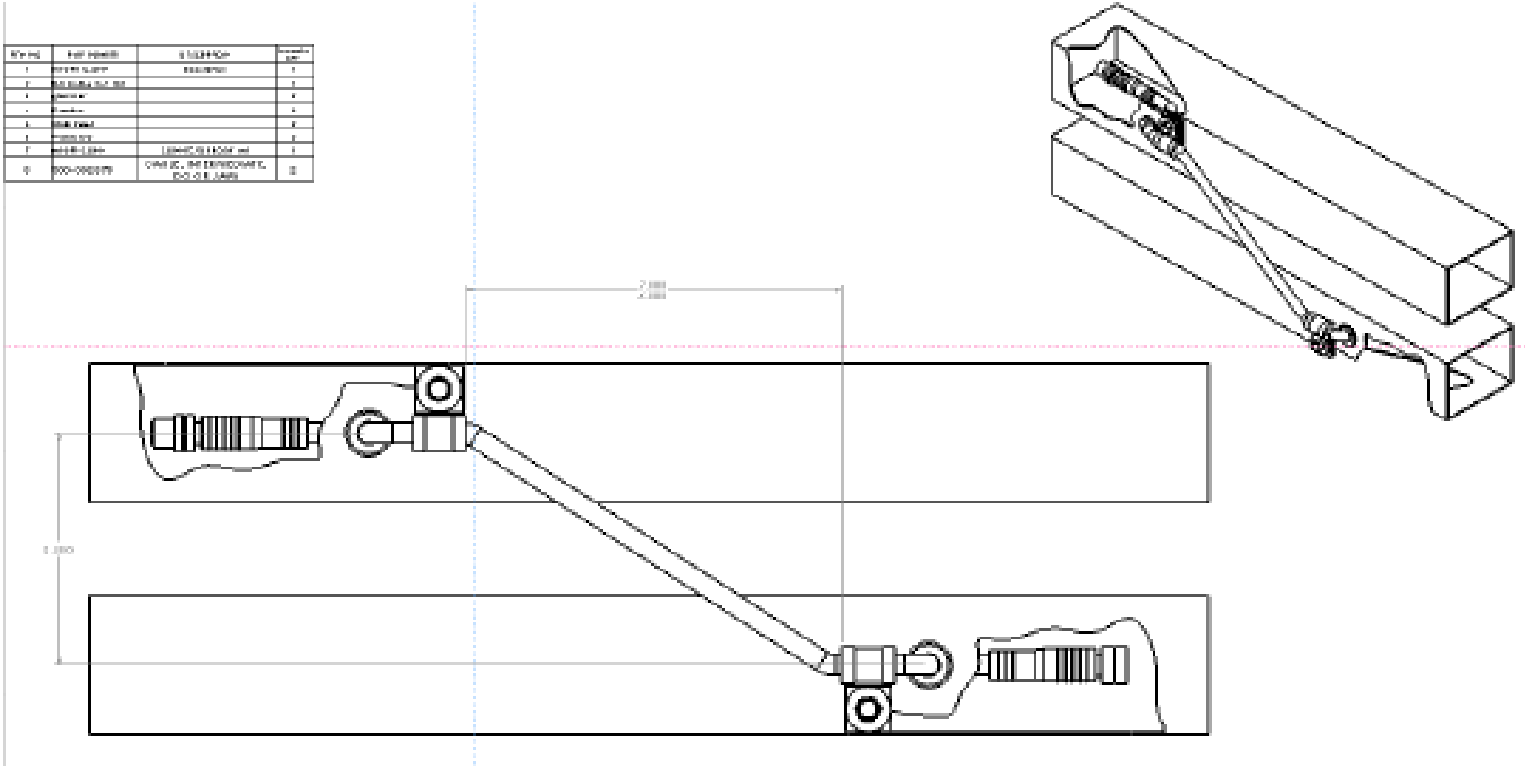
Hopper



Tilt and Turn



Cutout Template



NEED MORE INFORMATION?

If you have further questions please contact us at: 855-GR8-TINT (855-478-8468) or rfi@viewglass.com