

Trunk Connectors

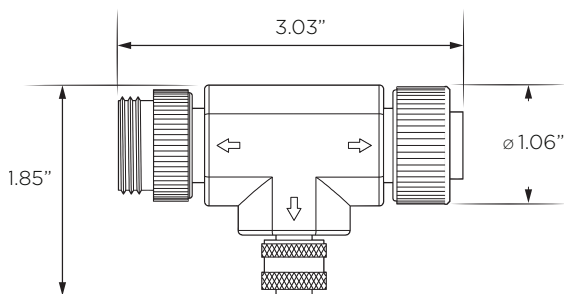
Trunk connectors are used to connect the View Drop cables to the trunk line.

Warranty

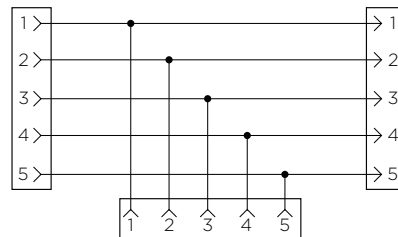
All cables and components carry a warranty for a period of 5 years from date of delivery by View. Refer to standard warranty terms and conditions for more details.

Trunk Tee Connector

Dimensions



Wiring Diagram



Specifications

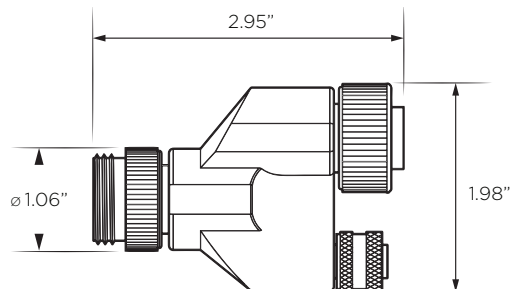
Max Current	8/4A
Max Voltage	250V

Ordering Information

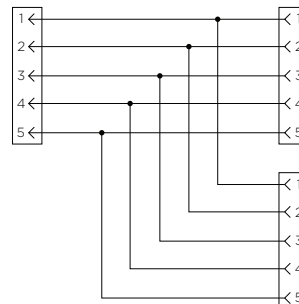
Part Number	Description
370-000002	Trunk Cable Tee Connector

Trunk WYE-M Connector

Dimensions



Wiring Diagram



Specifications

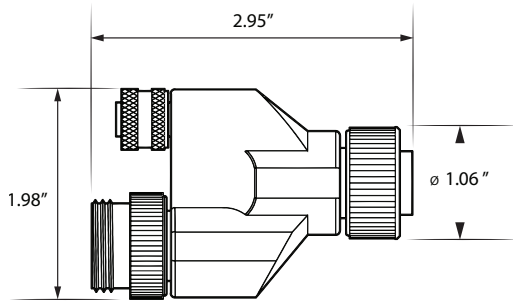
Max Current	8/4A
Max Voltage	300V

Ordering Information

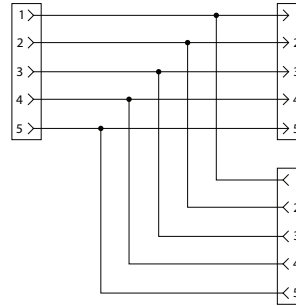
Part Number	Description
370-000022	Trunk Cable WYE-M Connector

Trunk WYE-F Connector

Dimensions



Wiring Diagram



Specifications

Max Current	8/4A
Max Voltage	300V

Ordering Information

Part Number	Description
370-000021	Trunk Cable WYE-F Connector