

## Wall switch data sheet

### Description

View's wall switch gives users the freedom to change tint states at any time by a push of a button. The four tint buttons correspond to the four Dynamic states, ranging from darkest (Tint 4) to clearest (Tint 1).

### General specifications

- 4 buttons
- Status LED for each button indicates tint state
- Locator LED indicates power
- Use any Decora wall plate

### Power

- Input power: 24V DC
- Consumption: 1.4 unit load @ 24V DC. 1 unit load = 25mA

### Wiring

- 1 wire to locator LED +24V DC
- 2 wires per button (1 wire for switch + 1 wire for LED)
- 1 wire for common

### Setup and programming

- Wire terminals and install

### Environmental

- 32 - 104°F (0 - 40°C)
- Relative humidity less than 90% non-condensing

### Physical dimensions

- 4 - 5/16" (h) x 1-5/8" (w) x 1 - 3/4" (d)
- Use 2 - 1/4" deep switch box
- Single gang sized

### Interconnected system

The wall switch is used in conjunction with:

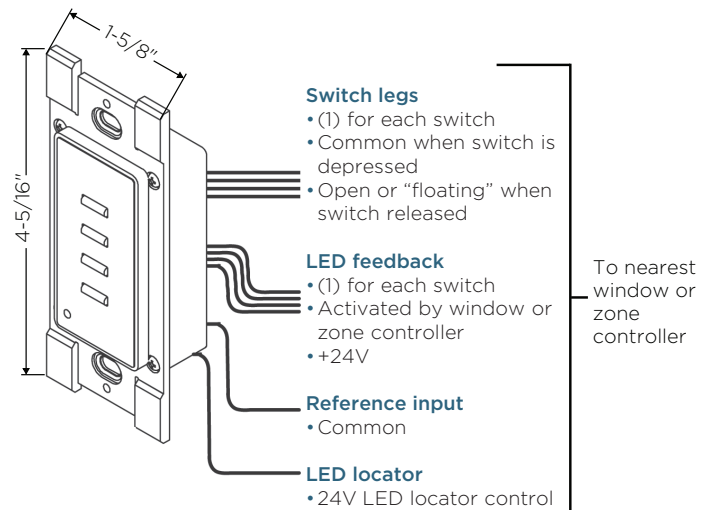
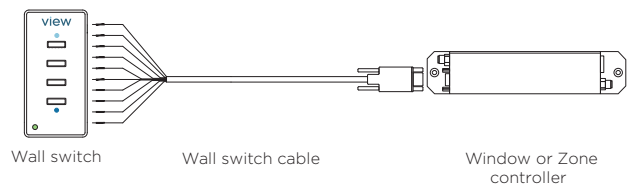
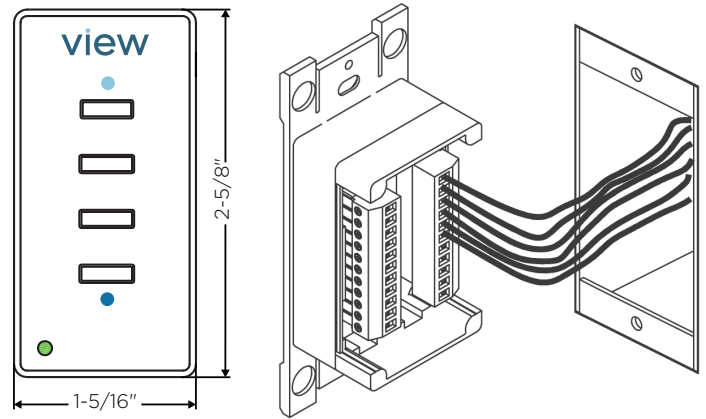
- \* Wall switch cable

### Warranty

All cables components carry a warranty for a period of 5 years from date of delivery by View. Refer to standard warranty terms and conditions for more details.

### Project submittal information

JOB NAME:	NOTES:
JOB NUMBER:	



View model no: WALLSW-WHT-04  
View part description: WALL SWITCH, WHITE, MULTI BUTTON STYLE