

Trunk Cable Installation Guide

Product Description

This document will guide you through the process of installing the Trunk Cable. The Trunk Cable provides both power and communications to the View system.

- Each IGU and Window Controller is branched back into the Trunk Cable.
- All cables are IP67 rated. Class 2 Plenum rated cables are available.
- The Trunk Cable can be routed above the ceiling grids, within interstitials, within spandrel locations, within drywall spaces or within framing channels. The interconnect drawings will indicate the general area where the Trunk Cable will be routed.

Tools and Materials required

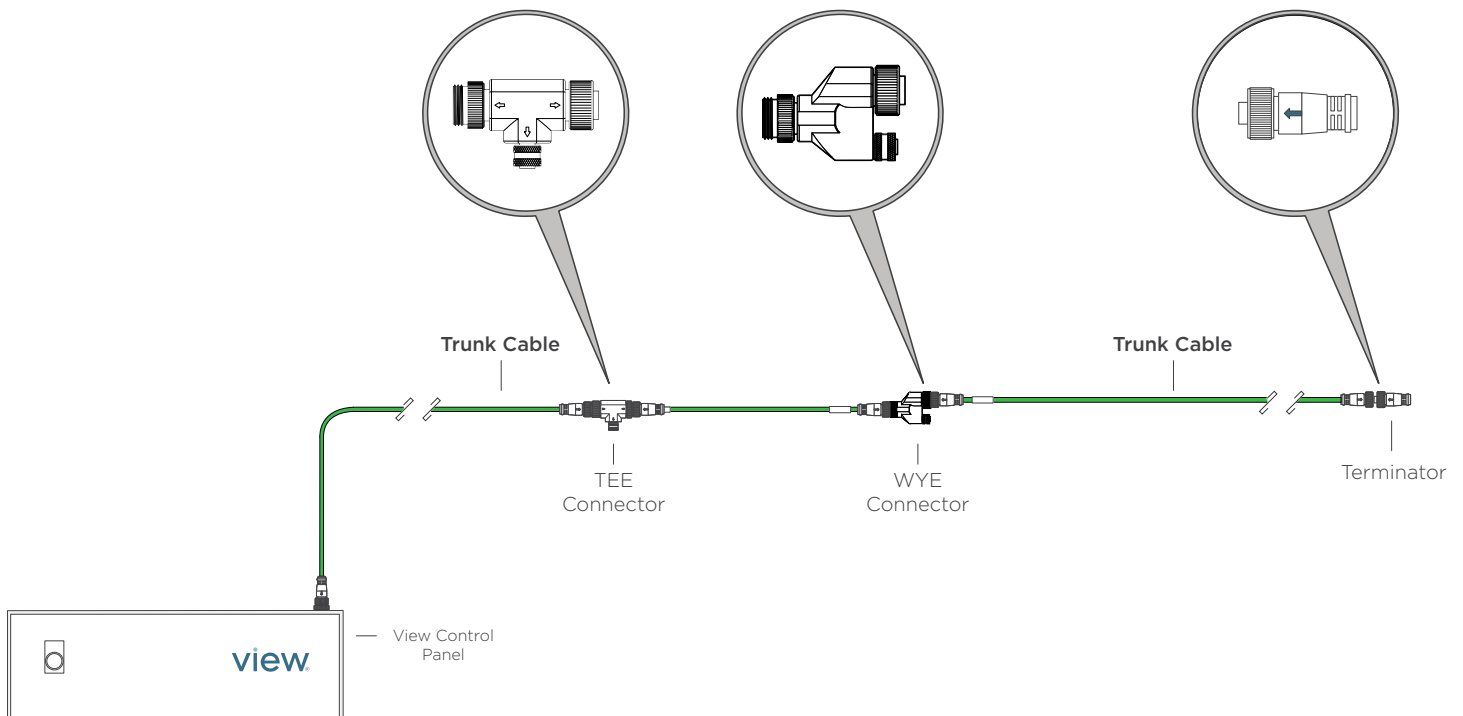
1. Trunk Line segments
2. Cable connectors (WYE and/or TEE)
3. Materials to hang/mount the cables as needed

Additional Supporting Documentation

1. Trunk Cable Data Sheet - QDM-02-000043
2. Trunk Connectors Data Sheet - QDM-02-000045
3. Terminator Data Sheet - QDM-02-000047

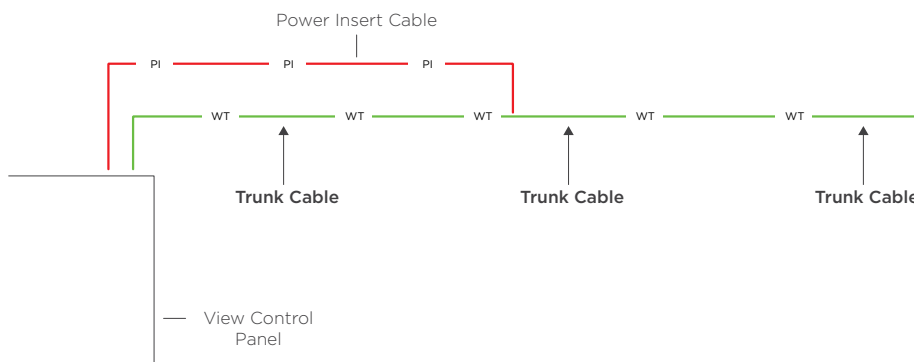
Installation Overview

The Trunk Cable will initially connect to the top of the Control Panel and be extended using additional Trunk Cable Segments connected by TEE or WYE connectors. The system will be capped off at the end with a terminator.



Interconnect Drawing Identification

The Trunk Cable is identified on the interconnect drawings as a dashed green line.



Installation

Step 1: Locate the Proper Trunk Cable Segment

Note: The configuration of the entire Trunk Line is made up of smaller Trunk Cable segments. Each segment is connected using TEE or WYE connectors. Each segment may be a different length depending on the requirements identified inside the interconnect drawings.

1. Locate the first Trunk Line segment inside the interconnect drawings that starts at the Control Panel. The call out will tell you the length of Trunk Cable you need.

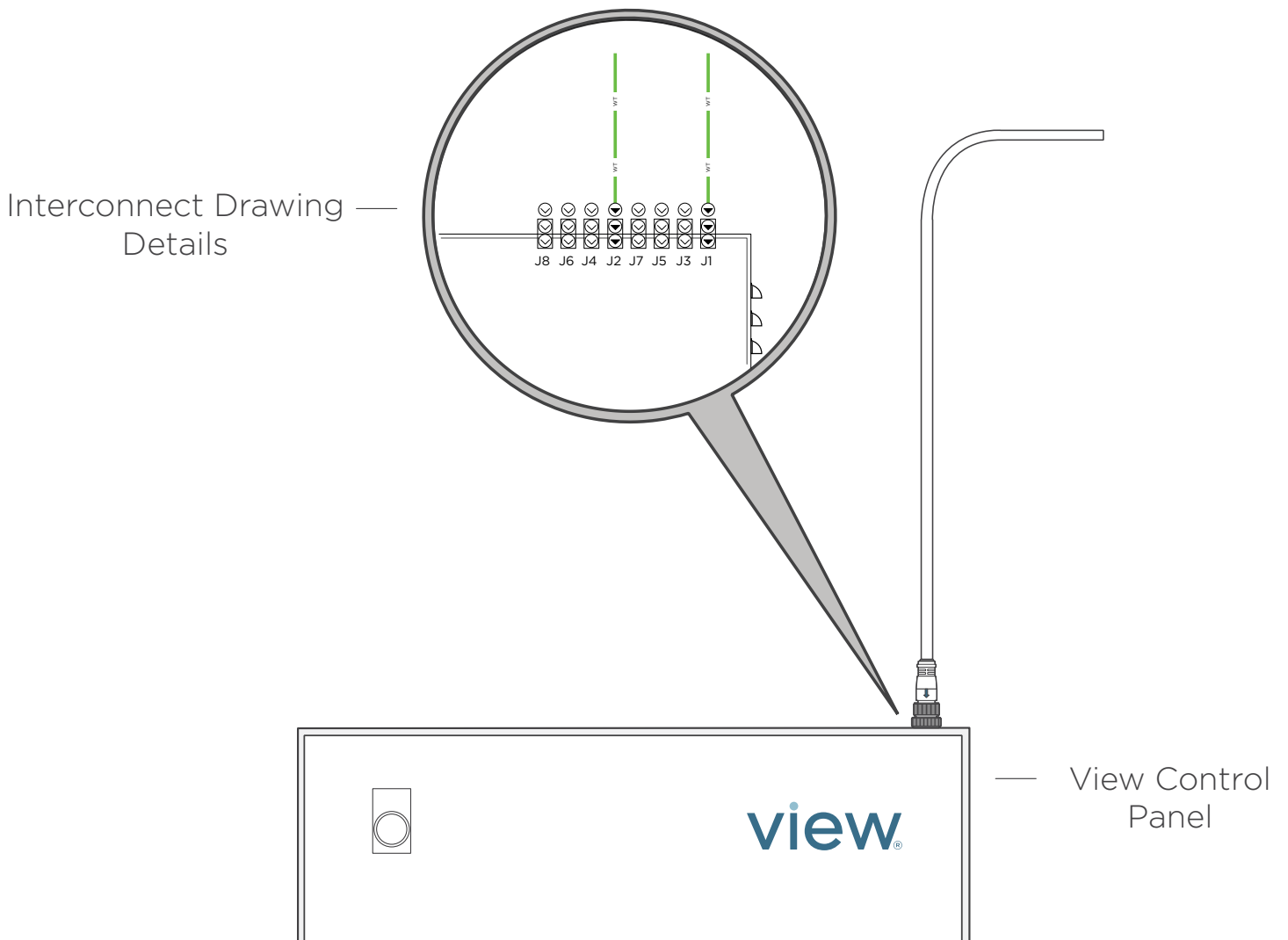
 Callout indicates type and length of cable

Note: The male end of the Trunk Cable will connect to the top of the Control Panel. If the Trunk Cable segment cannot be connected to the Control Panel immediately, ensure the male end of the segment is left available to be attached to the Control Panel when available.

Step 2: Connect Trunk Cable to Control Panel

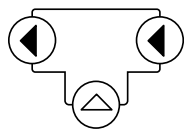
Note: The male end of the Trunk Cable should be available to be attached to the top of the Control Panel.

1. Connect the Trunk Cable male connector to the appropriate port on top of the Control Panel as instructed inside the interconnect drawings. This should be done without using tools (hand tighten only).

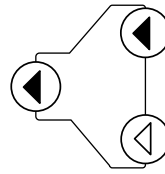


Step 3: Add Additional Trunk Line Segments

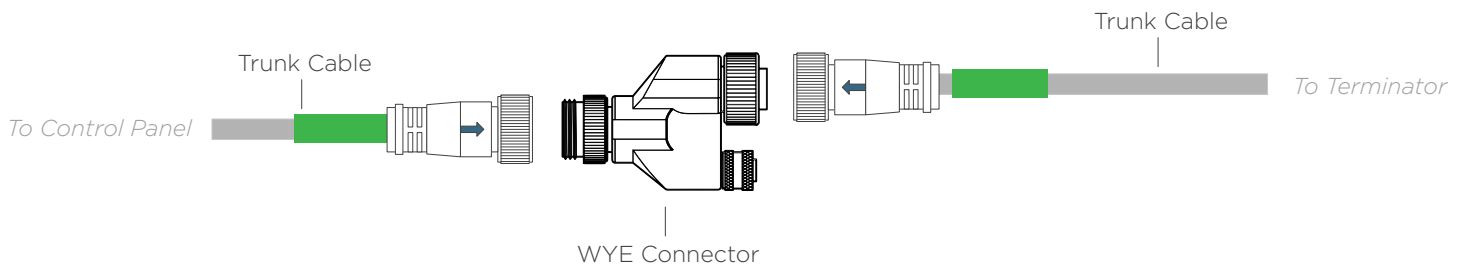
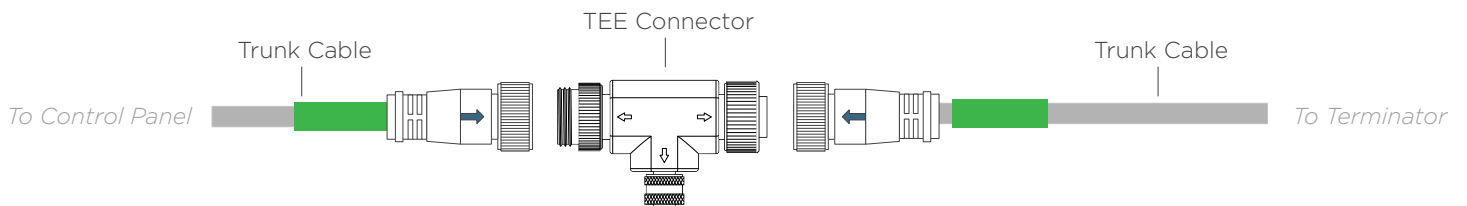
1. At the end of the Trunk Line segment, install either a Tee connector or a Wye connector depending on what the interconnect drawings call for. This should be done without using tools (hand tighten only).



Callout indicate a TEE Connector



Callout indicate a WYE Connector



Step 4: Install Terminator

1. When you have finished installing all segments of the Trunk Line, install a Terminator at the end of the final Trunk Line segment. This should be done without using tools (hand tighten only).



Callout indicate a Terminator

