

Power Insert Connectors

Product Description

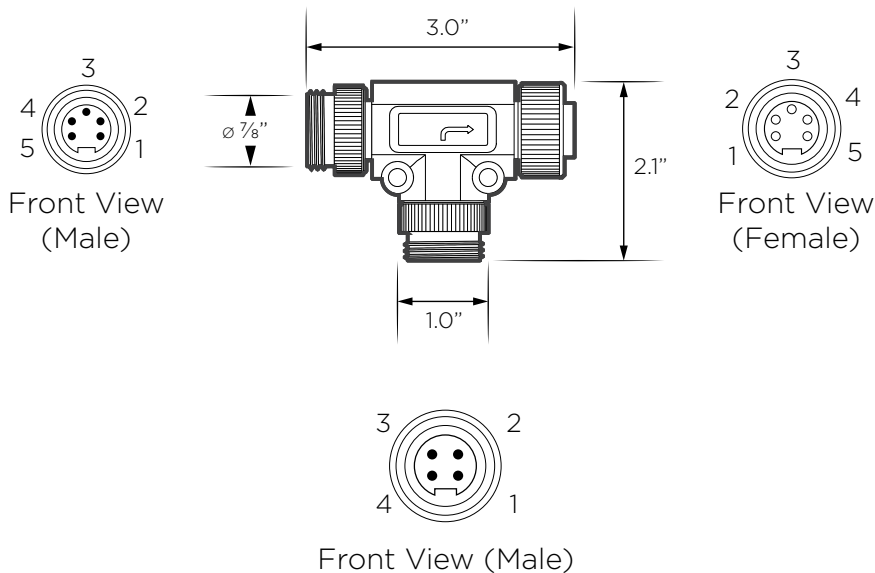
Power insert connectors are used to connect the power insert cable to the trunk cable.

Warranty

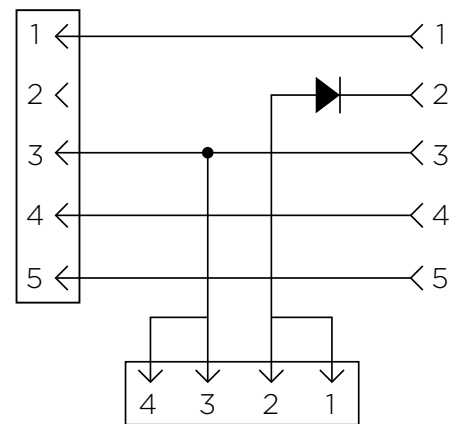
All cables and components carry a warranty for a period of 5 years from date of delivery by View. Refer to standard warranty terms and conditions for more details.

Power Insert Tee Connector

Dimensions



Wiring Diagram



Specifications

Max Current	8/4A
Max Voltage	250V

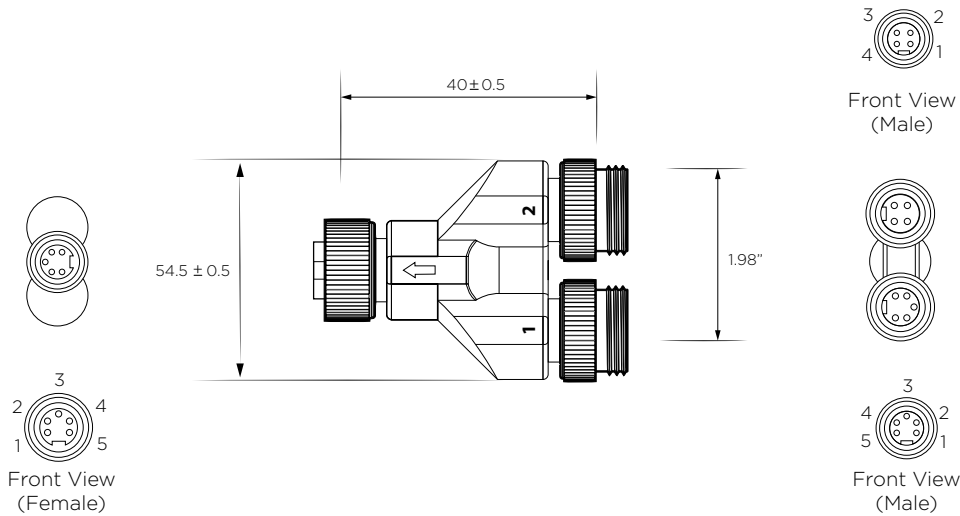
Ordering Information

Part Number	Description
370-000025	Trunk Cable Tee Connector

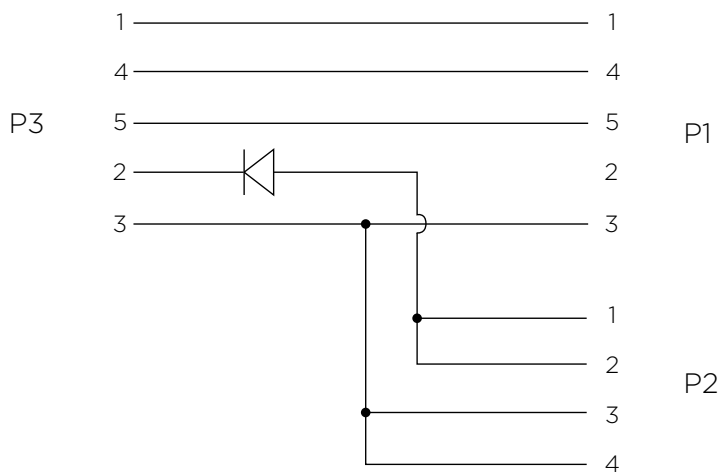
Power Insert Connectors

Power Insert WYE Connector

Dimensions



Wiring Diagram



Specifications

Max Current	8/4A
Max Voltage	300V

Ordering Information

Part Number	Description
370-000030	Trunk Cable WYE Connector